

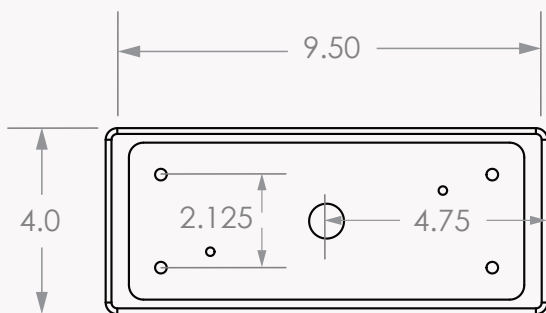
STEP LIGHT BACK PLATE

The Step Light Back Plate covers up electrical back boxes and creates a finished look for our Step Light, especially when these Step Lights are used to replace old Step Lights with larger openings or back boxes.

Note: Not required for new Step Light installs.



VINTAGE



STEP LIGHT BACK PLATE SPECIFICATIONS

Size (H x W): 4.0in x 9.5in

Weight: 1.0 lb

Construction: Solid Brass

Finish: Vintage Brass

Compatibility: Step Light

Mounting: Attach to Step Light from the rear of the back plate (with included screws). Mount to step/wall using appropriate fasteners.

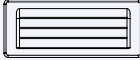


Warranty: 5-Year Limited Warranty*

ORDERING INFORMATION

| ACCESSORY | FINISH |
|---------------------------------------|-----------------------------|
| STEPBP (STEP LIGHT BACK PLATE) | VB (VINTAGE BRASS) ■ |
| | |
| | |
| | |
| | |

STEPBP — **VB** e.g. **STEPBPVB** = Vintage Brass Step Light Back Plate

COMPATIBLE PRODUCTS

| SKU | ITEM | |
|-------------|------------------------|---|
| SLMLFSxxKxx | Front Screw Step Light |  |
| SLMLxxKxx | Side Screw Step Light |  |
| VSLMLxxKxx | Vertical Step Light |  |
| | | |
| | | |
| | | |
| | | |

*Lifetime Warranty for certified installations. See terms and conditions of sale for details.