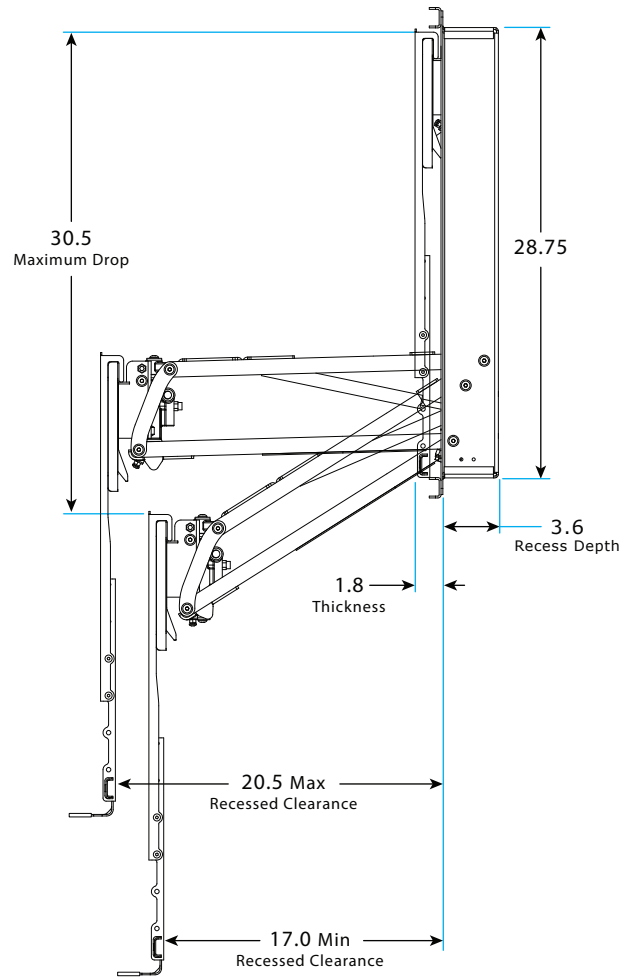
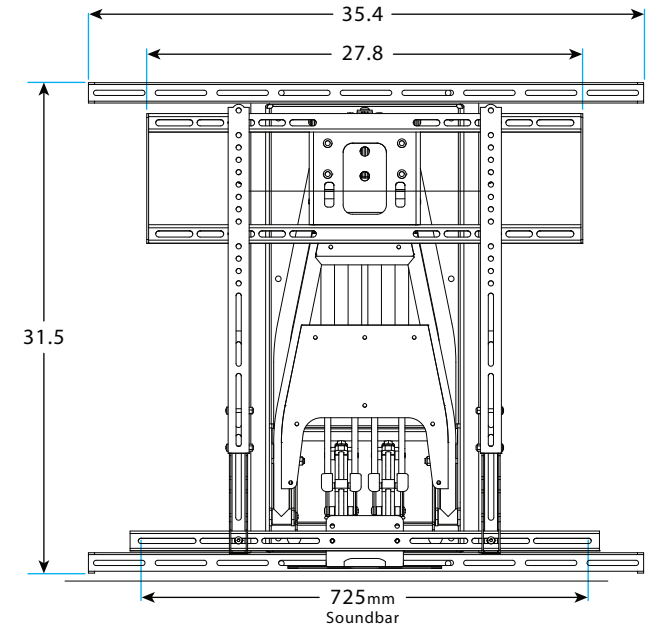




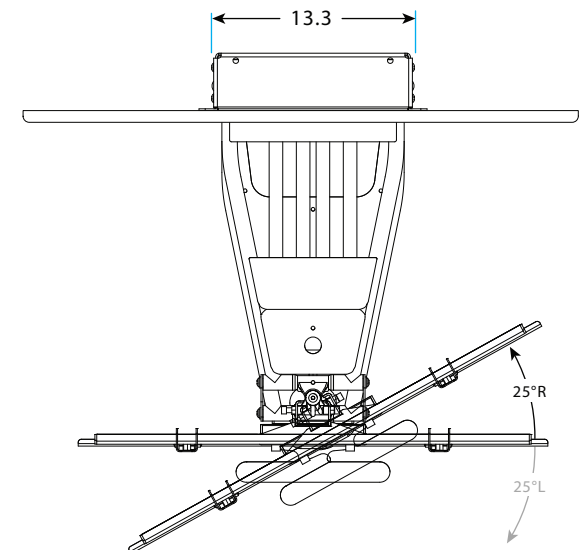
SIDE VIEW



FRONT VIEW



OVERHEAD VIEW



MM750 SPECIFICATIONS

TV Weight Capacity: 30 – 125 pounds

TV Size: 55" – 100" diagonal

Mount Weight: 67 pounds

Steel Thickness: 3.5 – 5mm

Overall Dimensions: 35.4"w X 31.5"h X 8.25"d

Maximum Lowering Distance: 30.5"

Flush-to-Wall Distance: 1.8"

Max Mantel Clearance* 22"/19"

Swivel: 25° each way

VESA Compliant: Up to 600mm X 600mm

Additional Components:

- Horizontal Sound Bar Adapter
- Color-changing Heat-Sensitive Handles

* Max mantel clearance: non-recessed/recessed