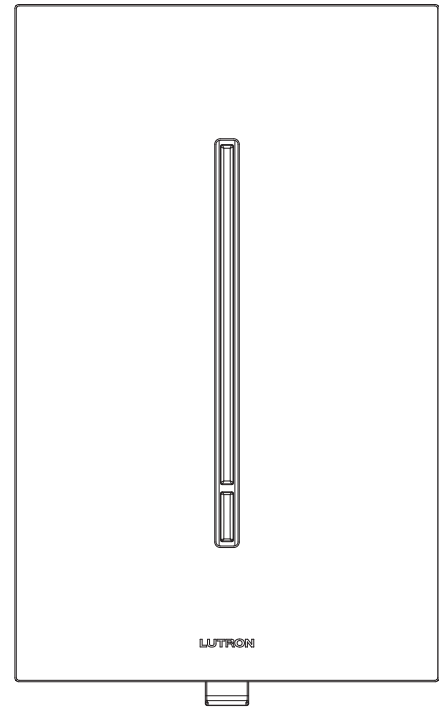


RadioRA 2 Architectural RF GRAFIK T Local Controls

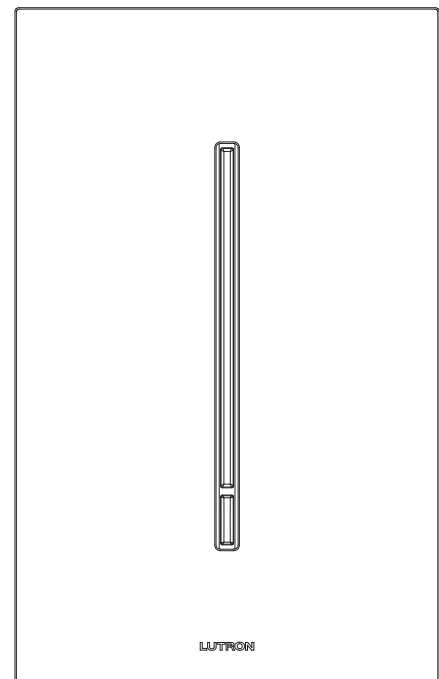
RadioRA 2 architectural RF GRAFIK T local controls function much like standard dimmers or switches, but can be operated as part of a lighting control system. GRAFIK T controls are useful in locations where single circuits of lighting need to be dimmed or switched.

Features

- Controls include dimmers, switches, and companion devices.
- Simple touch control.
- Distinctive architectural aesthetic.
- Softly lit white LEDs indicate light level and coordinate with any décor.
- Advanced microprocessor dimming technology for control of dimmable LED lamps.¹
- Low-end and high-end trim are available for improved LED dimming performance (dimmer only).
- Optional neutral connection available for superior LED dimming performance (C•L dimmer only).²
- Phase selectable technology allows forward or reverse phase dimming for compatibility with more load types.
- Installs in single-pole or multi-location applications. Companion devices are available for multi-location control with dimmers and switches (maximum 4 companion devices per dimmer or switch, 1 main control per circuit).
- Use Lutron GRAFIK T wallplates (sold separately). See the **Colors and Finishes** on page 3 for details.
- Lutron GRAFIK T wallplates snap on with no visible means of attachment.



Dimmer / Switch



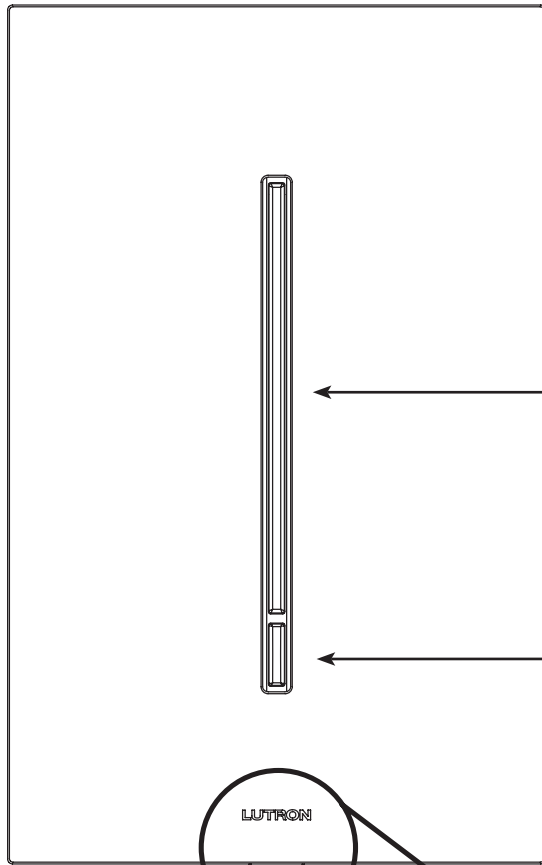
Companion Device

¹ If using LED bulbs, they must be Lutron compatible! For compatibility and performance information, visit our website at www.lutron.com/led, which is constantly being updated.

² GRAFIK T switch and Phase Selectable dimmer requires neutral connection.

RadioRA 2 Architectural RF GRAFIK T Local Controls

Operation



Adjust

- Touch to set lights to desired level (dimmer only)
- Slide to adjust light level (dimmer only)
- Touch anywhere to toggle load On/Off (switch only)

Toggle

- Touch to turn off or to turn on to previous or programmed light level
- When On, press and hold to engage the delayed long fade to Off (dimmer only)
- Toggle button is white when On, orange when Off

FASS

Front Accessible Service Switch

Note: The FASS is not available on companion devices.

IMPORTANT NOTICE:

FASS - Front Accessible Service Switch

To replace bulb(s), remove power by pulling the FASS down fully on all main controlling devices. After replacing bulb(s), push the FASS back up fully to restore power to the control(s).