

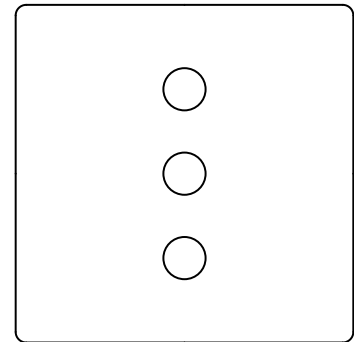
HomeWorks Wired Alisse Keypad

The HomeWorks wired Alisse keypad allows the user to control lights, shades/draperies, temperature, and third-party equipment. The keypad is designed to work with Lutron HomeWorks QSX series processors only through the wired QS link.

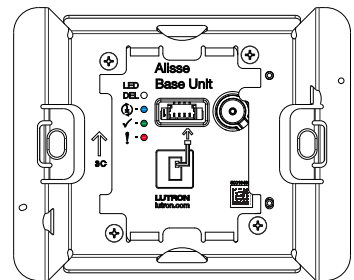
Backlit buttons make it easy to find and operate the keypad in low light conditions. Keypads are available in a variety of colors and finishes, with optional text or icon engraving.

Status of active button press or scene is indicated through intensity of backlighting which is configurable through the HomeWorks software. It can also be programmed in the HomeWorks software to adjust intensity by time of day or button presses.

The Alisse base unit is designed to allow system installation without exposing the keypad to potential damage during construction. It features a single programmable pushbutton for wiring validation and basic system control.



Single column 3-button keypad



Base unit

Finishes

See **Colors and Finishes** section on page 16.

HomeWorks Wired Alisse Keypad

Specifications

Power	24–36 V $\overline{=}$ 30 mA per base unit
Typical Power Consumption	Single column keypad + base = 370 mW at 24 V $\overline{=}$ Two column keypad + base = 449 mW at 24 V $\overline{=}$ Three column keypad + base = 543 mW at 24 V $\overline{=}$
Regulatory Approvals	Lutron Quality Systems registered to ISO 9001:2015. cULus, CE, NOM, FCC, ICES-003, and RoHS Compliant
Environment	<i>Ambient operating temperature:</i> 32 °F to 104 °F (0 °C to 40 °C), 0% to 90% non-condensing relative humidity. Indoor use only.
Communications	SELV/PELV/NEC® Class 2 wiring connects keypads to other devices on the QS link. Each base unit counts as 1 device on the QS link. Each base unit consumes 1 Power Draw Unit (PDU) on the QS link. For complete information, see “Power Draw Units on the QS link” (Lutron P/N 369405) at www.lutron.com
ADA Standard	Control operation complies with ADA standards for an accessible design.
ESD Protection	Meets IEC 801-2. Tested to withstand 15 kV electrostatic discharge without damage or memory loss.
Power Failure	<i>Power failure memory:</i> should power be interrupted, the keypad will return to its previous state when power is restored.
Mounting	<i>Typical square style backbox dimensions:</i> 3 in H x 3 in W x \geq 1.4 in D (75 mm H x 75 mm W x \geq 35 mm D) <i>Typical round style backbox dimensions:</i> 2.7 in W x \geq 1.4 in D (68 mm W x \geq 35 mm D) See Mounting on page 13 for more details.
Wiring	SELV/PELV/NEC® Class 2
Terminals	Each terminal accepts up to two 18 AWG (1.0 mm ²) wires
Warranty	http://www.lutron.com/TechnicalDocumentLibrary/043492.pdf https://www.lutron.com/TechnicalDocumentLibrary/Intl_Warranty.pdf

Design Features

- Backlight color temperature chosen based on the customer-selected faceplate finish.

Faceplate Finish	Aged Brass (AB)	Aged Bronze (AZ)	Brushed Brass (BRB)	Satin Nickel (SN)	Bright Chrome (BC)	Graphite (GP)	Champagne (CP)	Snow White (SWH)	Matte Black (BL)	Architectural White (AWH)	Brilliant White (BWH)
Backlight Color Temp.	Warm ¹	Warm ¹	Warm ¹	Cool ²	Cool ²	Cool ²	Warm ¹	Cool ²	Cool ²	Cool ²	Cool ²

¹ 2700 K color temperature

² 4000 K color temperature

- Adjustable back-light intensity.
- Faceplate snaps on with no visible means of attachment.
- Optional custom text or icon engraving.
- IP20 Rating.

Contact Closure Input (CCI)

- Base unit contains two non-isolated contact closure inputs (CCIs) for integration with a contact closure device.
- The CCI can be set up to simulate existing Lutron keypad functionality or it can be custom-configured to meet project-specific requirements.
- Provides a one-way interface between the Lutron lighting system and a contact closure device (not supplied).

HomeWorks Wired Alisse Keypad

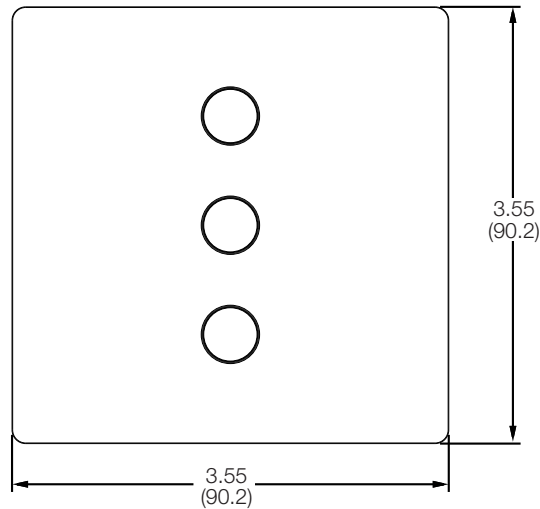
Dimensions

Square Style

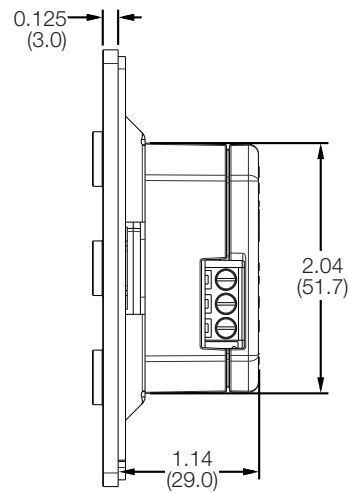
Measurements shown as: in (mm)

Single column with base unit

Front View

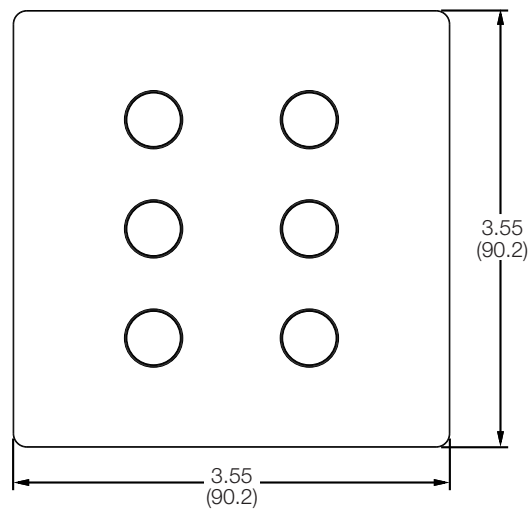


Side View

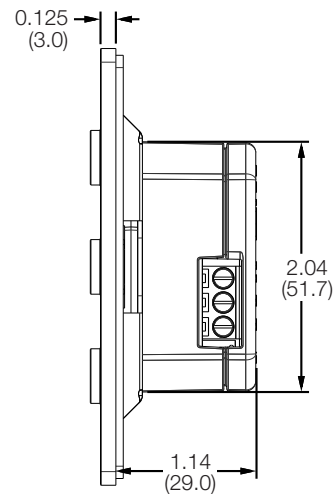


Two column with base unit

Front View



Side View



HomeWorks Wired Alisse Keypad

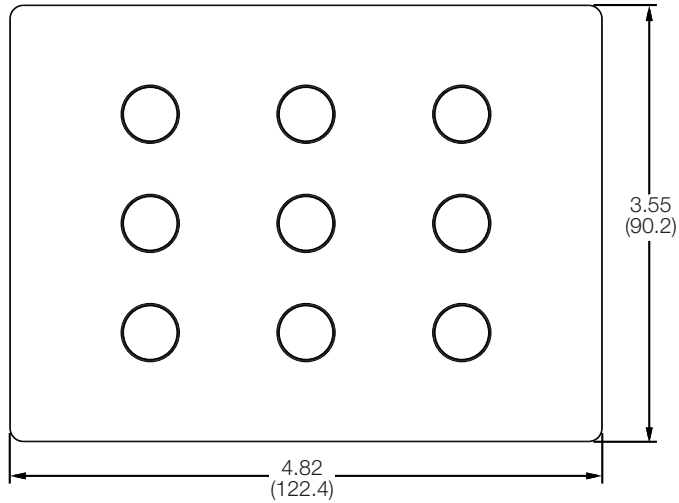
Dimensions *(continued)*

Square Style *(continued)*

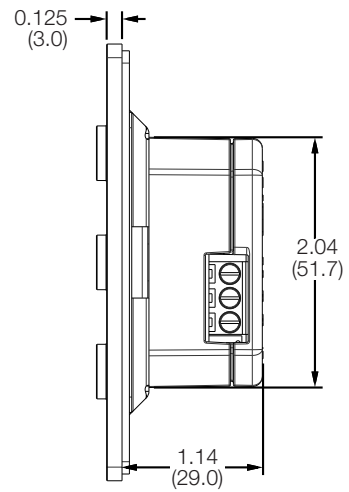
Measurements shown as: in (mm)

Three column with base unit

Front View



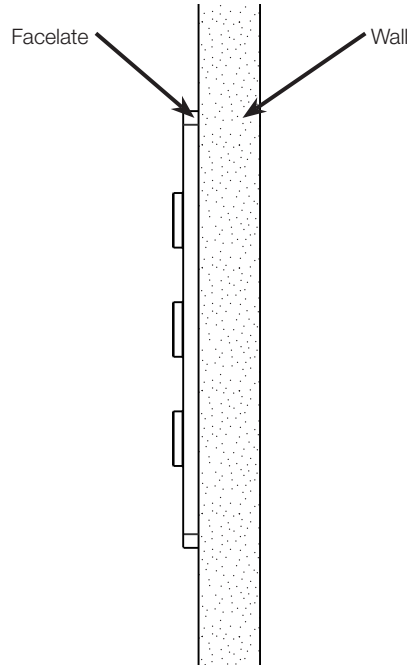
Side View



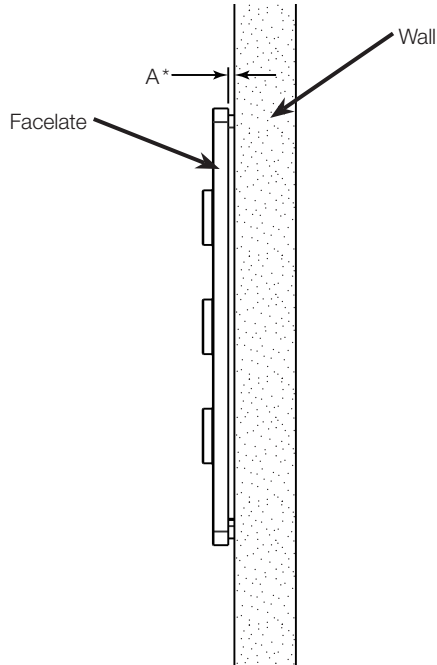
HomeWorks Wired Alisse Keypad

Flush Mounting

Square Style



Round Style



Note: A square, flangeless backbox (Lutron P/N EBB-1-SQ or similar style) is recommended for the most flush installation possible. Flanged square or round backboxes may also be used for retrofit applications or to meet local standards. Square backboxes with no flanges must be installed with the box sides at a minimum depth of flush and maximum depth of $\frac{3}{4}$ in (19 mm) from the wall surface for best possible installation.

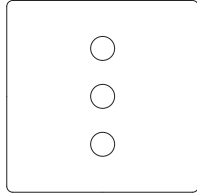
*** Flushness to Wall**

# of Columns (Round Box Only)	Dimension A (Flushness to wall)
1	0.035 in (0.9 mm)
2	0.035 in (0.9 mm)
3	0.040 in (1.0 mm)

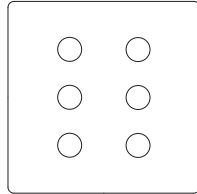
HomeWorks Wired Alisse Keypad

Keypad Selection Guide

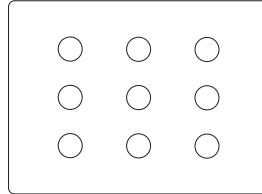
Columns



One Column

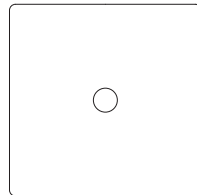


Two Columns

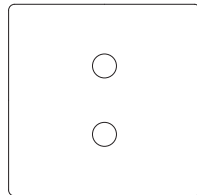


Three Columns

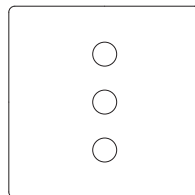
Buttons Per Column



One Button



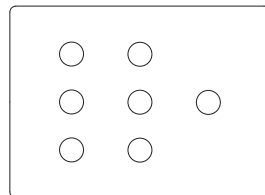
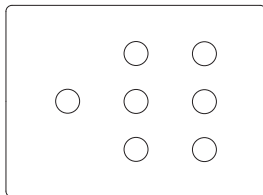
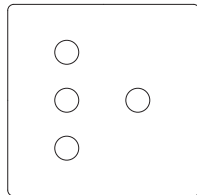
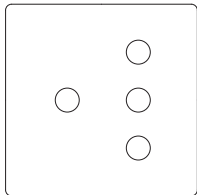
Two Buttons



Three Buttons

OR

Special Configurations



Final keypad configuration and selection to be completed in myProjects.

Engraving to be specified in myProjects. Visit engraving.lutron.com/alisse for engraving options.

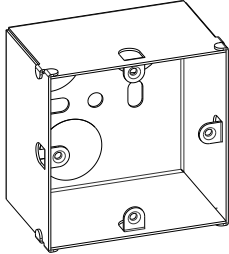
(continued on next page...)

Customer Assistance:
1.844.LUTRON1 (U.S.A./Canada)
+44.(0)20.7680.4481 (Europe)

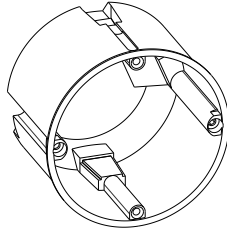
HomeWorks Wired Alisse Keypad

Keypad Selection Guide *(continued)*

Backbox



Square Backbox



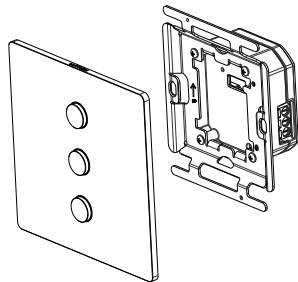
Round Backbox

Note: Please refer to the Alisse Keypads - Round Backbox Installation Best Practices Application Note #791, (P/N 048791) at www.lutron.com to see additional installation tips and Lutron tested recommended round backboxes.

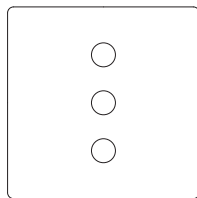
Colors and Finishes

AB	Aged Brass	CP	Champagne
AZ	Aged Bronze	SWH	Snow White
BRB	Brushed Brass	BL	Matte Black
SN	Satin Nickel	AWH	Architectural White
BC	Bright Chrome	BWH	Brilliant White
GP	Graphite		

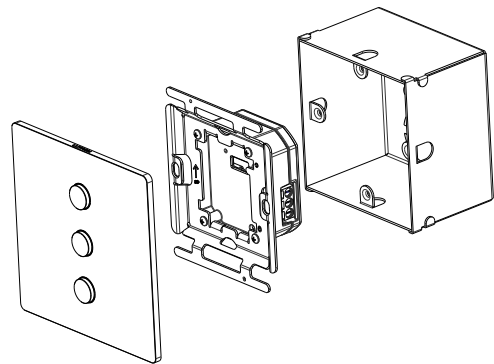
Components



Keypad and Base Unit



Keypad Only



Keypad, Base Unit, and Backbox

Final keypad configuration and selection to be completed in myProjects.

Engraving to be specified in myProjects. Visit engraving.lutron.com/alisse for engraving options.

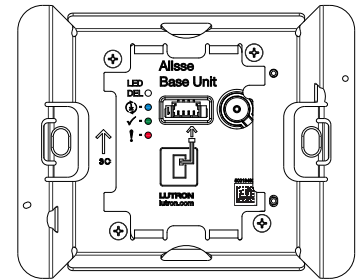
HomeWorks Wired Alisse Keypad

How to Build a Model Number

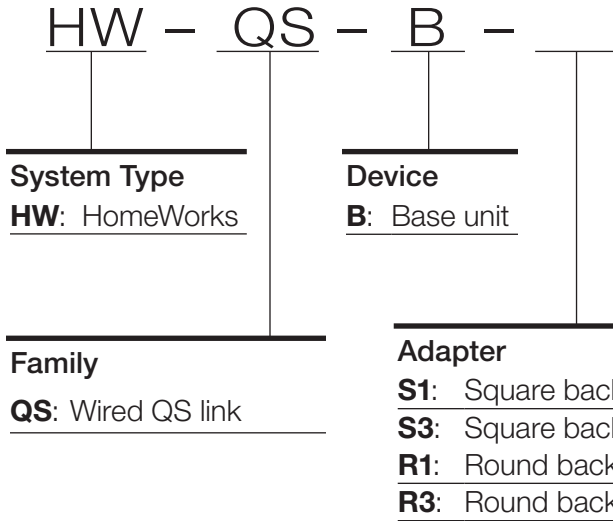
Keypad Base Unit

A single keypad base unit is required per keypad.

Note: Adapter is included with the keypad base unit kit.



Base unit



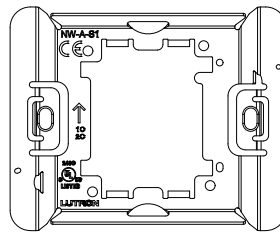
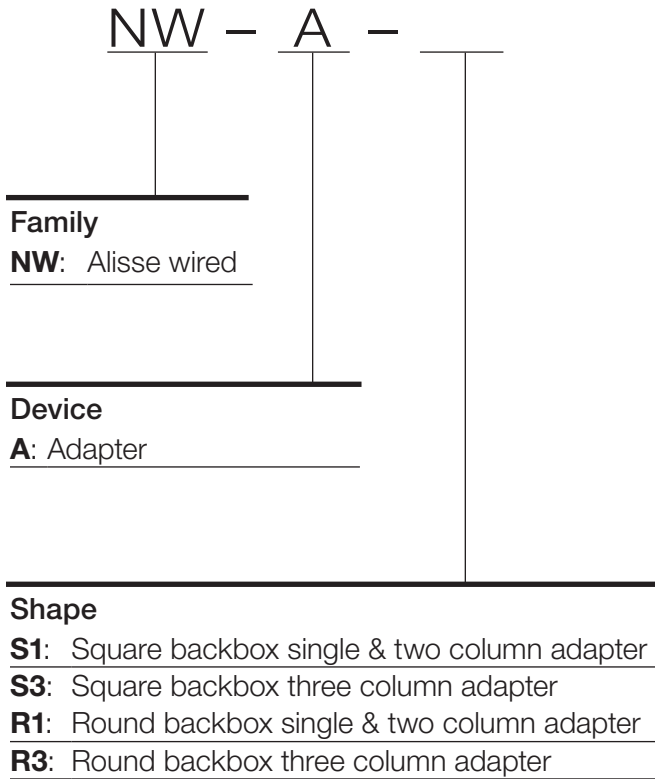
HomeWorks Wired Alisse Keypad

How to Build a Model Number *(continued)*

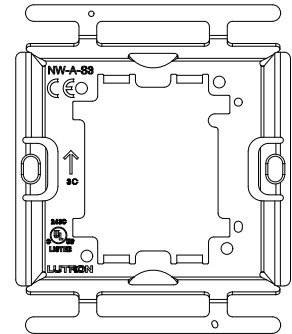
Replacement Adapter Kits

Use replacement adapter kits to change keypad mounting for different backbox shapes or keypad columns in the field.

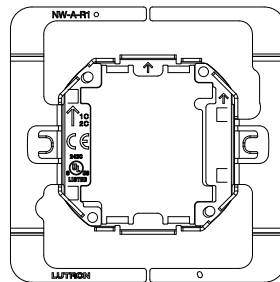
Note: No backbox included with these adapter kits. These are replacement parts **ONLY**.



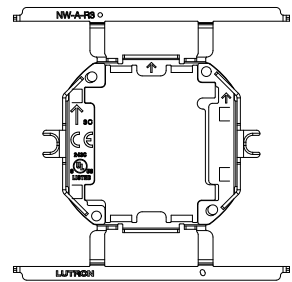
S1



S3



R1



R3

HomeWorks Wired Alisse Keypad

Engraving Options

The Alisse keypad has engraving options ideal for many scenarios. The following information will help you determine which engraving option is best-suited to your needs.

Predefined Custom Engraving

Engraving to be specified in myProjects. Visit engraving.lutron.com/alisse for engraving options. Predefined custom engraving must be defined at time of order.

Note: Keypad orders cannot be manufactured until engraving information is received. Base units are available in advance to allow for system wiring and validation.

No Engraving

No engraving is for instances when the customer would like to maintain the clean look of the keypad. To specify this option, leave the engraving code of the keypad model number blank.

Engraving Ink

Standard

Every Alisse keypad finish has a specific engraving ink that is chosen to compliment the finish while also allowing the engraving to be readable.

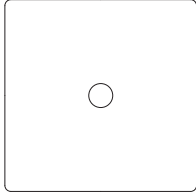
Enhanced Readability

Aged Alisse keypad finishes (Bronze and Brass) offer two engraving ink options. One that provides higher contrast for “Enhanced Readability” and a “Standard” that is more subtle. The aged finish engraving ink option is chosen when configuring the product using “Backfill Contrast” in myProjects.

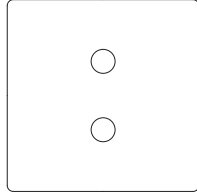
HomeWorks Wired Alisse Keypad

Button Configurations

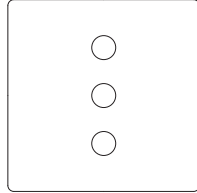
Single column, Single gang



1 Button

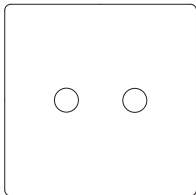


2 Button

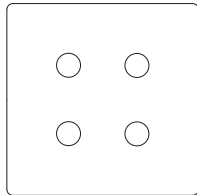


3 Button

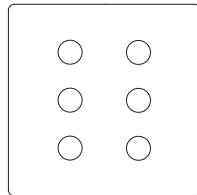
Double column, Single gang



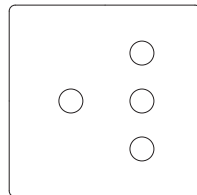
1 Button



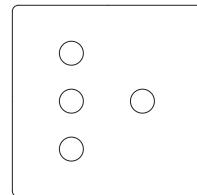
2 Button



3 Button

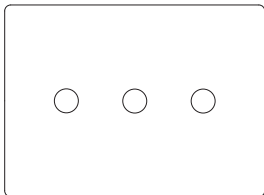


1 Button/
3 Button

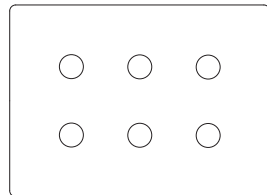


3 Button/
1 Button

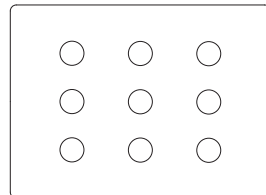
Triple column, Single gang



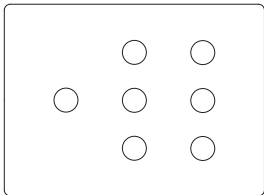
1 Button



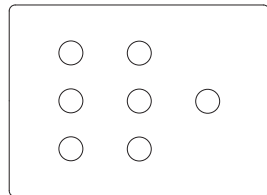
2 Button



3 Button



1 Button/3 Button/
3 Button



3 Button/3 Button/
1 Button

HomeWorks Wired Alisse Keypad

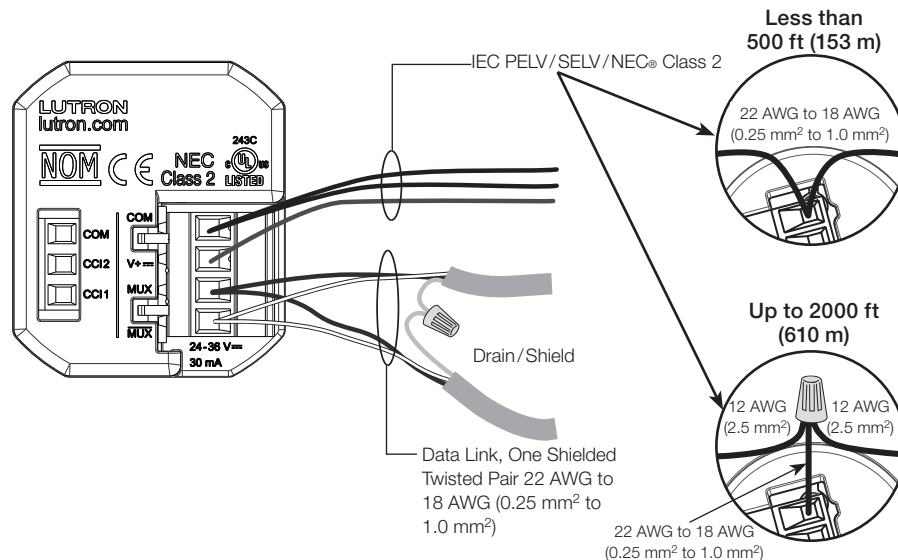
QS Link Wiring

- Use SELV/PELV/NEC® Class 2 wiring to connect keypads to the QS link.
- Connect two 22 AWG (0.5 mm²) shielded, twisted pairs of wires to terminals 3 and 4 of the keypad control link connector. Shielding (drain) of the twisted-pair wires must be connected together as shown, but do not connect the shielding to earth/ground or to the keypad and do not allow the shielding to contact the grounded backbox.
- The total length of wire on a QS wired link is not to exceed 2000 ft (610 m).
- Each base unit model number counts as 1 device on the QS link.
- Each base unit of a QS wired Alisse Keypad consumes 1 power draw unit (PDU) on the QS link. For complete information, see “Power Draw Units on the QS Link” (Lutron P/N 369405) at www.lutron.com
- Provided (shallow) QS Connector **MUST** be used for installations with backboxes between 1.4 in D and 1.8 in D (35 mm D and 45 mm D). It is highly recommend to use the (shallow) connector for backboxes > 1.8 in (45 mm) D to prevent interference between the connector and backbox.

Note: Use appropriate wire connecting devices as specified by local codes.

Note: Replacement (shallow) QS connectors are available for purchase using model NW-CON.

Link Wiring



CCI Wiring

- Works with SELV/PELV/NEC® Class 2 low-voltage dry contact closures.
- CCIs must have an on-state saturation voltage less than 1 V at 1 mA and an off-state leakage current of less than 100 uA. Contact manufacturer of the contact closure device for details.
- The signal pulse for the CCI must be greater than 40 ms. Contact manufacturer of the contact closure device for details.

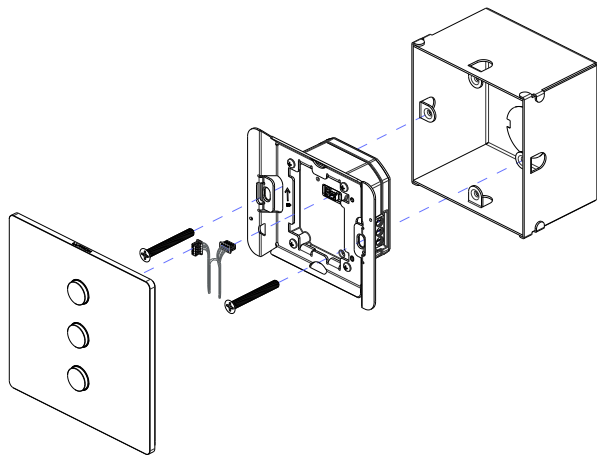
HomeWorks Wired Alisse Keypad

Mounting

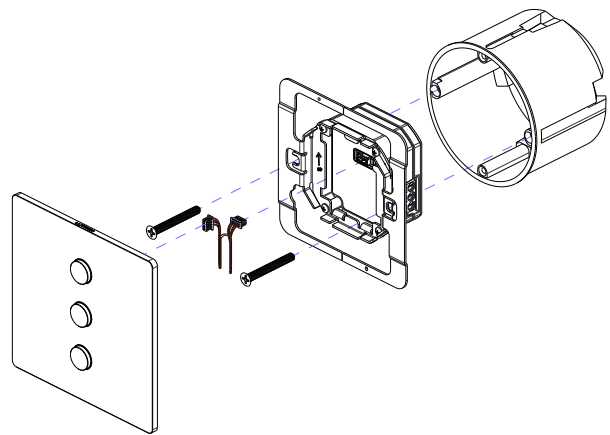
A square, flangeless backbox (Lutron part number EBB-1-SQ or similar style) is recommended for the most flush installation possible. Flanged square backboxes may also be used for retrofit applications or to meet local standards. Square backboxes with no flanges must be installed with the box sides flush with or slightly inset to the wall surface.

Square Style (Square Backbox)

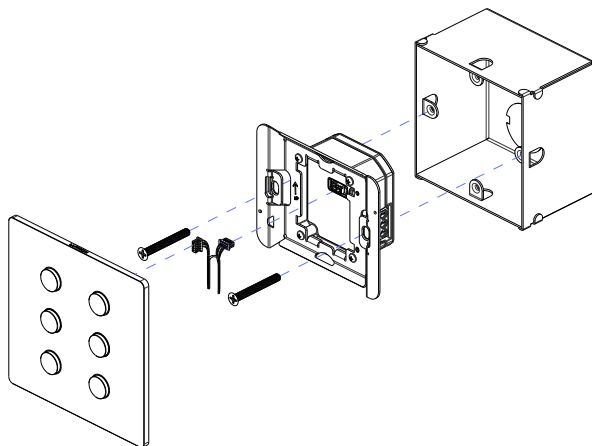
Round Style (Round Backbox)



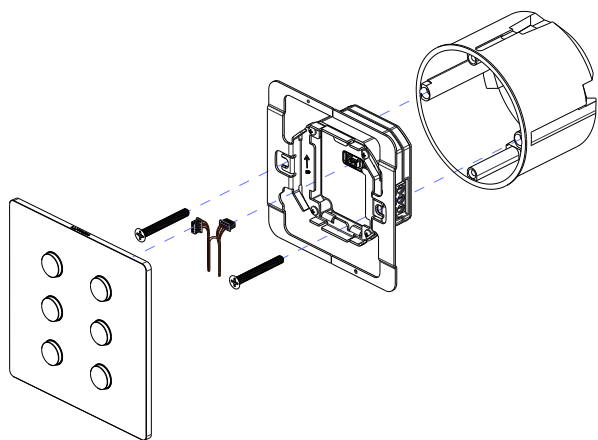
Single column¹



Single column^{1,2,4}



Two column^{1,3}



Two column^{1,2,3,4}

¹ Use Lutron part number EBB-1-SQ or EBB-1-RD if a backbox is needed for the project.

² See dimensions on page 5 for typical flushness to wall.

³ The provided keypad to base unit cable should be installed prior to installing the keypad. Replacement parts available using Lutron part number NW-WIH.

⁴ Please refer to the Alisse Keypads - Round Backbox Installation Best Practices Application Note #791, (P/N 048791) at www.lutron.com to see additional installation tips and Lutron tested recommended round backboxes.

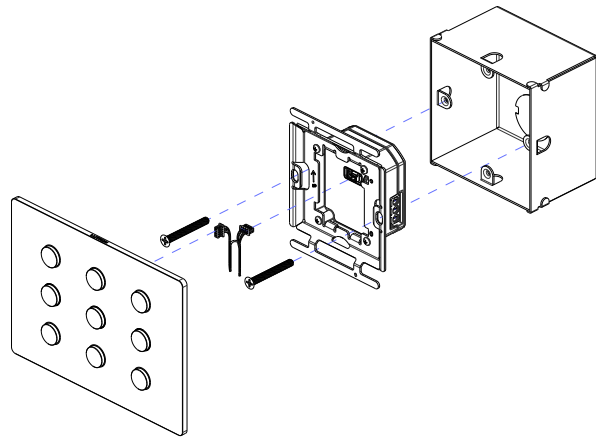
(continued on next page...)

Customer Assistance:
1.844.LUTRON1 (U.S.A./Canada)
+44.(0)20.7680.4481 (Europe)

HomeWorks Wired Alisse Keypad

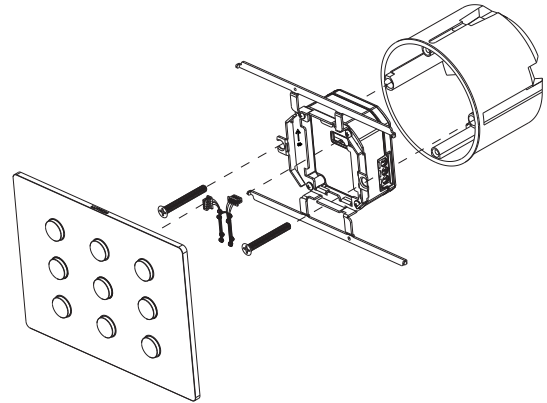
Mounting *(continued)*

Square Style (Square Backbox)



Three column ^{1,3}

Round Style (Round Backbox)



Three column ^{1,2,3,4}

¹ Use Lutron part number EBB-1-SQ or EBB-1-RD if a backbox is needed for the project.

² See dimensions on page 5 for typical flushness to wall.

³ The provided keypad to base unit cable should be installed prior to installing the keypad. Replacement parts available using Lutron part number NW-WIH.

⁴ Please refer to the Alisse Keypads - Round Backbox Installation Best Practices Application Note #791, (P/N 048791) at www.lutron.com to see additional installation tips and Lutron tested recommended round backboxes.

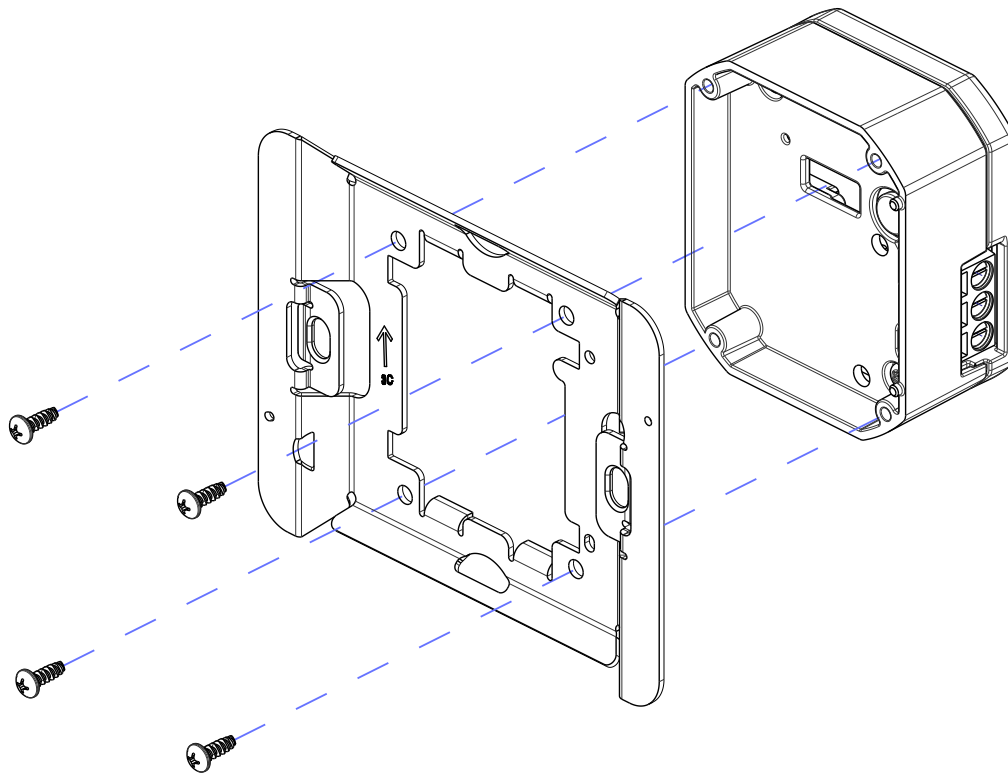
HomeWorks Wired Alisse Keypad

Base Unit and Adapter Assembly

The adapter is field-replaceable should there be a change to the number of columns at a keypad location. Replacement adapter kits are available, see page 9 for part numbers.

Tools Required: Phillips head screwdriver (not included)

1. Remove the existing adapter.
2. Align new adapter over the base unit.
3. Assemble using the provided 4 (2-28 in X 0.250 in) pan head screws.



HomeWorks Wired Alisse Keypad

Colors and Finishes



Aged Brass
AB



Aged Bronze
AZ



Brushed Brass
BRB



Satin Nickel
SN



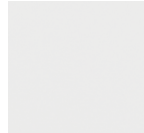
Bright Chrome
BC



Graphite
GP



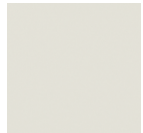
Champagne
CP



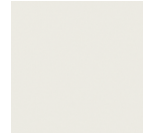
Snow White
SWH



Matte Black
BL



Architectural
White
AWH



Brilliant White
BWH

- Aged Brass and Aged Bronze finishes are produced using a handcrafted process which introduces a unique variation in both the hue and the graining. There will be natural variation from unit to unit.
- Due to printing limitations, colors and finishes shown cannot be guaranteed to perfectly match actual product colors.
- Keychains are available for more precise color matching:
 - Signature Metal Chip Kit Demo:
SM-CK-DEMO

Lutron, HomeWorks, and Alisse are trademarks or registered trademarks of Lutron Electronics Co., Inc. in the US and/or other countries.

All other product names, logos, and brands are property of their respective owners.